



Engine	Cummins QSB7
Gross Power	124 kW (166 hp / 169 ps) @ 2,050 rpm
Net Power	117 kW (157 hp / 159 ps) @ 2,050 rpm
Maximum Dig Depth	11,910 mm
Standard Bucket Capacity	0.45 m ³
Operating Weight	23,850 kg

922E EXCAVATOR

LONG REACH ARM

922E SPECIFICATIONS >>>

ENGINE

Emission Regulation	Tier 3 / Stage IIIA
Manufacturer	Cummins
Model	QSB7
Gross Power	124 kW (166 hp / 169 ps) @ 2,050 rpm
Net Power	117 kW (157 hp / 159 ps) @ 2,050 rpm
Peak Torque	658 N·m @ 1,200 rpm
Number of Cylinders	6
Displacement	6.7 L

UNDERCARRIAGE

Shoe Width	800 mm / 900 mm
Number of Shoes per Side	49
Number of Upper Rollers per Side	2
Number of Bottom Rollers per Side	8

REFERENCE ARM

Arm Length	6,400 mm
Boom Length	8,500 mm

OPERATING WEIGHT

Operating Weight (800 mm shoes)	23,850 kg
Operating Weight (900 mm shoes)	24,130 kg

BUCKET PERFORMANCE

Bucket Heaped Capacity (Referenced)	0.45 m ³
-------------------------------------	---------------------

TRACK DRIVE

Maximum Travel Speed	5.6 km/h
Drawbar Pull	220 kN

SERVICE CAPACITIES

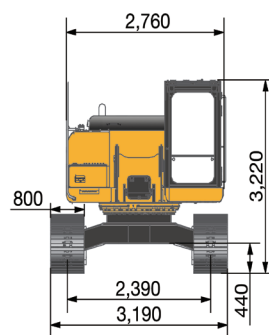
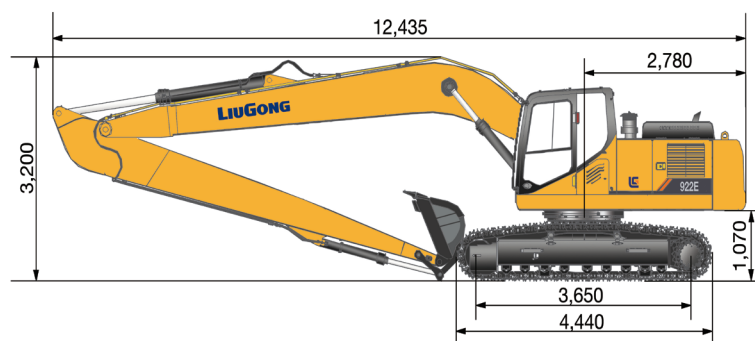
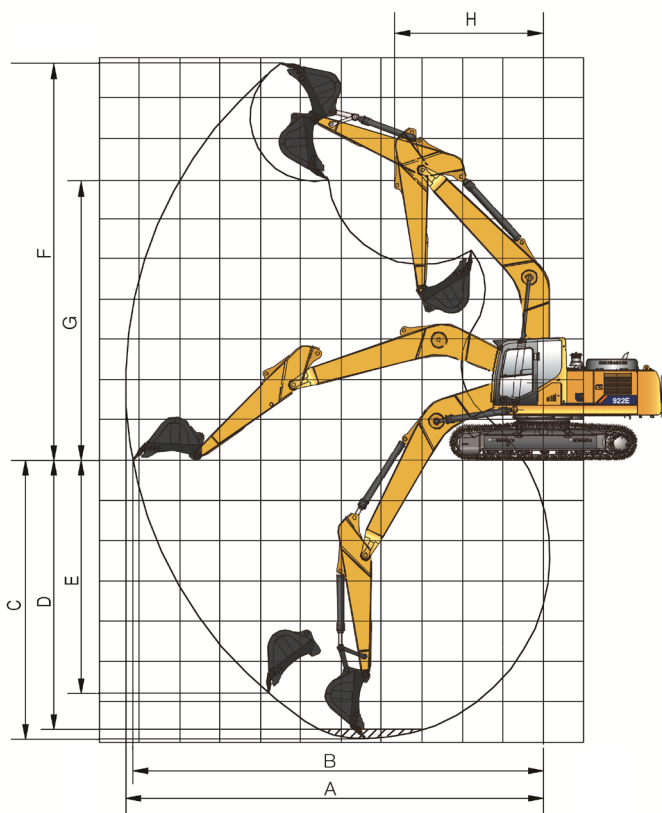
Fuel Tank	420 L
Engine Oil	25 L
Cooling System	25 L
Hydraulic Reservoir	210 L
Hydraulic System Total	330 L

HYDRAULIC SYSTEM

Main Pumps Total Flow	2 x 224 L/min
Relief Pressure, main	34.3 MPa
Relief Pressure, boost	37.3 MPa

WORKING RANGE

A. Max. Digging Reach	15,110 mm
B. Max. Digging Reach on Ground	14,985 mm
C. Max. Digging Depth	11,910 mm
D. Max. Digging Depth, 2.44 m (8') level	11,785 mm
E. Max. Vertical Wall Digging Depth	5,395 mm
F. Max. Cutting Height	12,780 mm
G. Max. Dumping Height	10,535 mm
H. Min. Front Swing Radius	4,270 mm
Bucket Digging Force (ISO)	70 kN
Arm Digging Force (ISO)	55 kN



Guangxi Liugong Machinery Co., Ltd.

No. 1 Liutai Road, Liuzhou, Guangxi 545007, PR China
T: +86 772 3886124 E: overseas@liugong.com
www.liugong.com

Specifications and designs are subject to change without notice. Machines shown may include optional equipment. Liugong standard and optional equipment may vary from region to region. Please consult your Liugong dealer for information specific to your area. Engine power kW is converted to horsepower (1 kW=1.3596 ps and 1 kW=1.3410 hp) in this file.

03/2020 Designed by LiuGong
Replace the previous versions of 06/2019